

# MONITOR

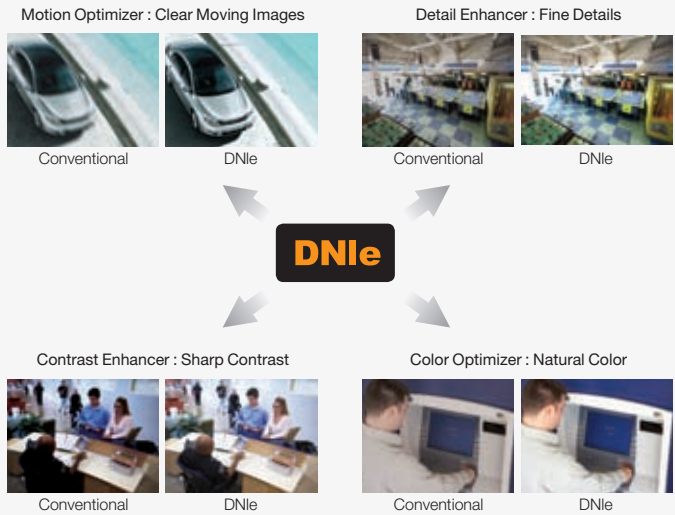
SAMSUNG TOTAL SECURITY SOLUTIONS



# Monitor Terms & Features

## DNie (Digital Natural Image engine)

Samsung proprietary technology embedded in premium LCD TV to enhance picture quality for the best performance. By utilizing DNie technology, monitors provide enhanced image reproduction quality with optimized color, enhanced contrast and higher resolution. It delivers rich color and crystal clear image for more comfortable reading and for reducing eye fatigue.



## Tempered Glass Screen

Monitors with tempered glass screen design protects the screen from dirt, repetitive touching or scratching. The screen can be easily cleaned with common cleaning solution such as water, alcohol.



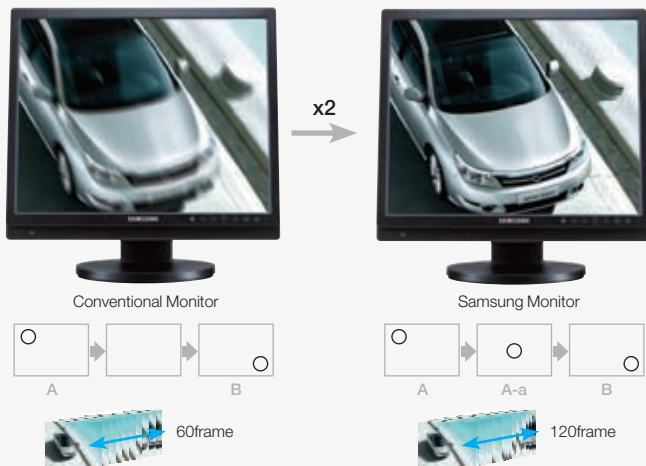
## PIP (Picture in Picture), PBP (Picture by Picture)

The PIP, PBP functions allow a security manager to use a PC and view a CCTV camera at the same time. It could also allow the manager to always have a video of important camera in the corner at all times.



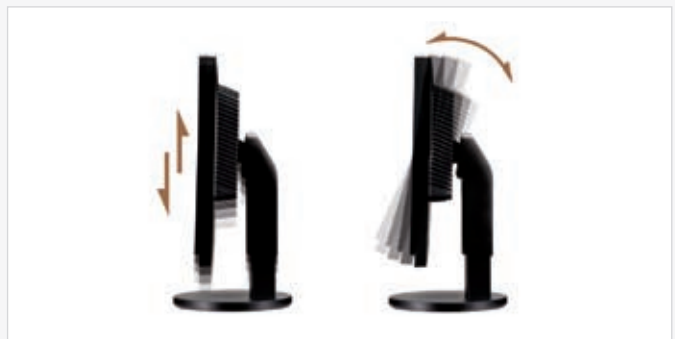
## 120Hz Motion Technology

With twice the amount of processing power, 120Hz Motion Technology allows you to monitor clear and vivid images that are twice as fast as 60Hz, and two times faster than conventional TVs.










## HAS (Height Adjustable Stand)

Samsung monitors with HAS feature can be adjusted to users' comfort level. Maximize monitor can be adjusted to your comfort level. Maximize your efficiency with the convenient height adjustable stand.



# Monitor Selection

	TFT-LCD Monitor				
	SMT-4023	SMT-3223	SMT-2231	SMT-1930	SMT-1923
					
Screen Size	40"	32"	22"	18.5"	19"
Resolution (pixels HxV)	1920 x 1080	1366 x 768	1920 x 1080	1360 x 768	1280 x 1024
Composite Video Resolution	600TV lines	600TV lines	NTSC : 600TV lines PAL : 620TV lines	NTSC : 600TV lines PAL : 620TV lines	NTSC : 600TV lines PAL : 620TV lines
Video In/Out	1	1	2 / 2	2 / 2	2 / 2
S-Video In/Out	N/A	N/A	N/A	N/A	1 / 1
RGB In	1	1	1	1	1
DVI / HDMI	1 / 2	1 / 2	0 / 1	0 / 1	N/A
Audio In (Stereo)	2	2	2	2	2
Contrast Ratio	3000 : 1	3500 : 1	1000 : 1	1000 : 1	1000 : 1
Response Time	8ms (G to G)	8ms (G to G)	5ms	5ms	5ms
Brightness	450cd/m <sup>2</sup>	450cd/m <sup>2</sup>	Above 300cd/m <sup>2</sup>	Above 300cd/m <sup>2</sup>	Above 250cd/m <sup>2</sup>
Tempered Glass Screen	N/A	N/A	Yes	Yes	Yes
Picture In Picture	N/A	N/A	Yes	Yes	Yes
Built-in Speakers	Yes	Yes	Yes	Yes	Yes
Desktop Stand	General (Option)	General (Option)	General (Option)	Height adjustable	Height adjustable
Sync Format	NTSC : 3.5 / PAL : 4.43	NTSC : 3.5 / PAL : 4.43	NTSC : 3.5 / PAL : 4.43	NTSC : 3.5 / PAL : 4.43	NTSC : 3.5 / PAL : 4.43
Power	100 ~ 240V AC	100 ~ 240V AC	100 ~ 240V AC	100 ~ 240V AC	12V DC external

	TFT-LCD Monitor				
	SMT-1922	SMT-1912	SMT-1712	SMT-1723	SMT-1722
					
Screen Size	19"	19"	17"	17"	17"
Resolution (pixels HxV)	1280 x 1024	1280 x 1024	1280 x 1024	1280 x 1024	1280 x 1024
Composite Video Resolution	NTSC : 600TV lines PAL : 620TV lines	N/A	N/A	NTSC : 600TV lines PAL : 620TV lines	NTSC : 600TV lines PAL : 620TV lines
Video In/Out	2 / 2	N/A	N/A	2 / 2	2 / 2
S-Video In/Out	1 / 1	N/A	N/A	1 / 1	1 / 1
RGB In	1	1	1	1	1
Audio In (Stereo)	2	N/A	N/A	2	2
Contrast Ratio	1000 : 1	1000 : 1 (DC 5000 : 1)	1000 : 1 (DC 5000 : 1)	1000 : 1	1000 : 1
Response Time	5ms	5ms	5ms	5ms	5ms
Brightness	Above 250cd/m <sup>2</sup>	Above 250cd/m <sup>2</sup>	Above 250cd/m <sup>2</sup>	Above 250cd/m <sup>2</sup>	Above 250cd/m <sup>2</sup>
Tempered Glass Screen	Yes	Yes	Yes	Yes	Yes
Picture In Picture	Yes	N/A	N/A	Yes	Yes
Built-in Speakers	Yes	N/A	N/A	Yes	Yes
Desktop Stand	Height adjustable	General	General	Height adjustable	Height adjustable
Sync Format	NTSC : 3.5 / PAL : 4.43	NTSC : 3.5 / PAL : 4.43	NTSC : 3.5 / PAL : 4.43	NTSC : 3.5 / PAL : 4.43	NTSC : 3.5 / PAL : 4.43
Power	100 ~ 240V AC	100 ~ 240V AC	100 ~ 240V AC	12V DC external	100 ~ 240V AC

# SMT-4023

40" TFT-LCD Monitor

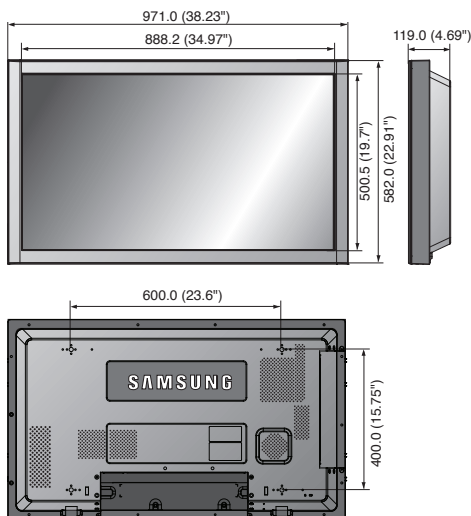


## Key Features

- Support up to 1920 x 1080 resolution
- High contrast ratio 3000 : 1
- Fast response time 8ms
- 120Hz motion technology

## Dimensions

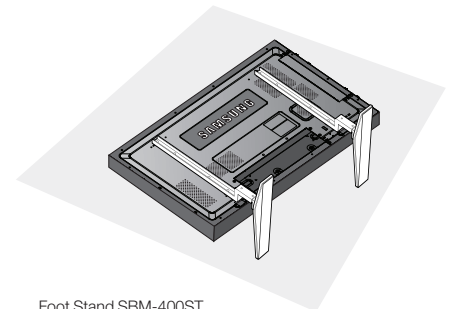
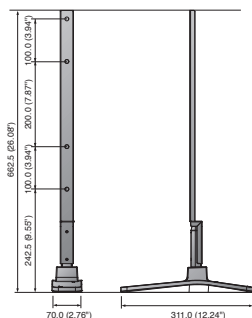
Unit : mm (inch)



## Technical Specifications

		SMT-4023
<b>DISPLAY</b>		
Screen Size		40"
Max. Resolution		1,920x1,080
Brightness		450cd/m <sup>2</sup>
Contrast Ratio		3,000 : 1
Aspect Ratio		16 : 9
Viewing Angle (H/V)		178° / 178°
Display Color		16.7million
Response Time		8ms (G to G)
Video System		NTSC / PAL
Panel Life		50,000hours
Filter Type		3D combfilter
<b>INTERFACE</b>		
Video	Connector	CVBS, HDMI 1, HDMI 2, Component (D-sub 15pin)
	Connector	Analogue D-sub, DVI-D, Display port
	Input Signal	0.7 Vp-p ±5%
RGB / DVI	Available Format	640 x 350@70Hz, 720 x 400@70Hz
		640 x 480@60Hz/72Hz/75Hz (VGA)
		800 x 600@56Hz/60Hz/72Hz/75Hz (SVGA)
		1,024 x 768@60Hz/70Hz/75Hz (XGA)
		1,152 x 864@75Hz, 1,152 x 870@75Hz
		1,280 x 960@60Hz
		1,280 x 1,024@60Hz/75Hz (SXGA)
HDMI	Available Format	1,360 x 768@60Hz
		1,600 x 1,200@60Hz
		1,920 x 1,080@60Hz
HDMI	Connector	HDMI 1, HDMI 2
	Available Format	640 x 480p@60Hz, 720 x 480i@60Hz, 720 x 480p@60Hz 720 x 576i@50Hz, 720 x 576p@50Hz, 1,280 x 720p@50Hz/60Hz 1,920 x 1,080i@50Hz/60Hz, 1,920 x 1,080p@50Hz/60Hz
Audio	Connector	RCA (L/R), Stereo mini jack
	Output Signal	Loop-through line level (PC only), Speakers : 2 x 5W
Application Support Remote controller		
<b>ON SCREEN DISPLAY</b>		
Functions		VESA™ DPM compatible
Language		English, Spanish, French, German, Italian, Portuguese, Russian, Swedish, Turkish, Taiwanese, Chinese, Japanese, Korean
<b>GENERAL</b>		
Electrical	Input Voltage	100 ~ 240V AC (50/60Hz)
	Power Consumption	Type 150W
Environmental	Operating Temperature	0 ~ +40°C (+32°F ~ +104°F)
	Operating Humidity	10% ~ 80% (Non-condensing)
Mechanical	Dimensions with Stand (WxHxD)	971.0 x 641.5 x 311.0mm (38.23" x 25.26" x 12.24")
	Dimensions without Stand (WxHxD)	971.0 x 582.0 x 119.0mm (38.23" x 22.91" x 4.69")
	Weight	19.3Kg (42.5 lb)
	Cabinet Color	Black
	Rack Mounts	Optional
	VESA Mounts Interface	400 x 600mm
Accessory		SBM-400ST

## Optional Accessory



Foot Stand SBM-400ST

# SMT-3223

32" TFT-LCD Monitor

MONITOR

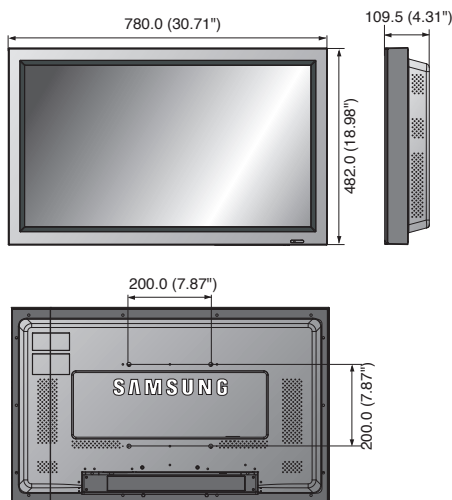


## Key Features

- Support up to 1366 x 768 resolution
- High contrast ratio 3500 : 1
- Fast response time 8ms
- 120Hz motion technology

## Dimensions

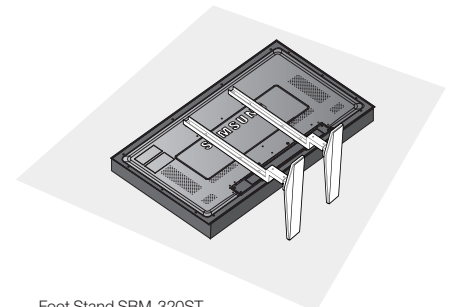
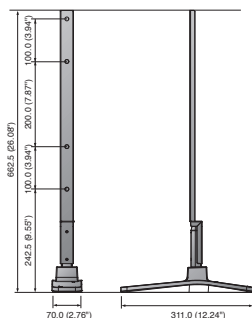
Unit : mm (inch)



## Technical Specifications

		SMT-3223
<b>DISPLAY</b>		
Screen Size		32"
Max. Resolution		1,366 x 768
Brightness		450cd/m <sup>2</sup>
Contrast Ratio		3,500 : 1
Aspect Ratio		16 : 9
Viewing Angle (H/V)		178° / 178°
Display Color		16.7million
Response Time		8ms (G to G)
Video System		NTSC / PAL
Panel Life		50,000hours
Filter Type		3D combfilter
<b>INTERFACE</b>		
Video	Connector	CVBS, HDMI 1, HDMI 2, Component (D-sub 15pin)
	Connector	Analogue D-sub, DVI-D, Display port
	Input Signal	0.7 Vp-p ±5%
RGB / DVI	Available Format	640 x 350@70Hz
		720 x 400@70Hz
		640 x 480@60Hz/72Hz/75Hz (VGA)
		800 x 600@56Hz/60Hz/72Hz/75Hz (SVGA)
		1,024 x 768@60Hz/70Hz/75Hz (XGA)
		1,152 x 864@75Hz
		1,152 x 870@75Hz
HDMI	Available Format	1,280 x 960@60Hz
		1,280 x 1,024@60Hz/75Hz (SXGA)
		1,360 x 768@60Hz
		1,366 x 768@60Hz
		HDMI 1, HDMI 2
Audio	Connector	RCA (L/R), Stereo mini jack
	Output Signal	Loop-through line level (PC only), Speakers : 2 x 5W
Application Support		Remote controller
<b>ON SCREEN DISPLAY</b>		
Functions		VESA™ DPM compatible
Language		English, Spanish, French, German, Italian, Portuguese, Russian, Swedish, Turkish, Taiwanese, Chinese, Japanese, Korean
<b>GENERAL</b>		
Electrical	Input Voltage	100 ~ 240V AC (50/60Hz)
	Power Consumption	Type 150W
	Operating Temperature	0 ~ +40°C (+32°F ~ +104°F)
Environmental	Operating Humidity	10% ~ 80% (Non-condensing)
	Dimensions with Stand (WxHxD)	780.0 x 552.0 x 311.0mm (30.71" x 21.73" x 12.24")
Mechanical	Dimensions without Stand (WxHxD)	780.0 x 482.0 x 109.5mm (30.71" x 18.98" x 4.31")
	Weight	13.7Kg (30.2 lb)
	Cabinet Color	Black
	Rack Mounts	Optional
	VESA Mounts Interface	200 x 200mm
Accessory		SBM-320ST

## Optional Accessory



Foot Stand SBM-320ST

# SMT-2231

22" Wide Full HD TFT-LCD Monitor

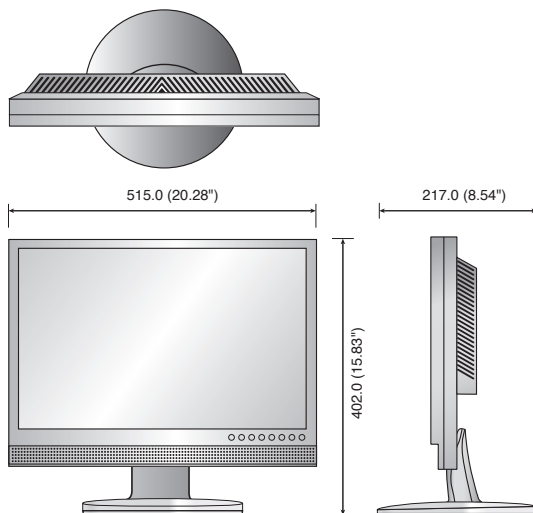


## Key Features

- Support up to 1920 x 1080 resolution
- High contrast ratio 1000 : 1
- Fast response time 5ms
- 120Hz motion technology

## Dimensions

Unit : mm (inch)



## Technical Specifications

		SMT-2231
<b>DISPLAY</b>		
Screen Size		22"
Max. Resolution		1,920 x 1,080
Brightness		300cd/m <sup>2</sup>
Contrast Ratio		1,000 : 1
Aspect Ratio		16 : 9
Viewing Angle (H/V)		170° / 160°
Display Color		16.7million
Response Time		5ms
Video System		NTSC / PAL
Panel Life		50,000hours
Filter Type		3D combfilter
<b>INTERFACE</b>		
Video	Connector	BNC types (2 in / 2 out)
	Connector	1 Analogue RGB 15-pin D-sub
	Input Signal	0.7 Vp-p ±5%
RGB / DVI	Available Format	720 x 400@70Hz
		640 x 480@60Hz/72Hz/75Hz (VGA)
		800 x 600@56Hz/60Hz/72Hz/75Hz (SVGA)
		1,024 x 768@60Hz/70Hz/75Hz (XGA)
		1,152 x 864@75Hz
		1,280 x 960@60Hz
		1,280 x 1,024@60Hz/75Hz (SXGA)
		1,280 x 720@60Hz
		1,600 x 1,200@60Hz/70Hz
		1,920 x 1,080@50Hz/60Hz
HDMI	Connector	1 HDMI input (Type A connector)
	Available Format	640 x 480p@60Hz, 720 x 480i@60Hz, 720 x 480p@60Hz 720 x 576i@50Hz, 720 x 576p@50Hz, 1,280 x 720p@50Hz/60Hz 1,920 x 1,080i@50Hz/60Hz, 1,920 x 1,080p@50Hz/60Hz
Audio	Connector	2 RCA type (2 Stereo inputs)
	Output Signal	Speakers : 2 x 1W
Application Support		Remote controller
<b>ON SCREEN DISPLAY</b>		
Functions		VESA™ DPM compatible
Language		English, Spanish, French, German, Italian, Portuguese, Russian, Dutch, Swedish, Turkish, Taiwanese, Chinese, Japanese, Korean
<b>GENERAL</b>		
Electrical	Input Voltage	100 ~ 240V AC (50/60Hz)
	Power Consumption	Type 46W
Environmental	Operating Temperature	0 ~ +40°C (+32°F ~ +104°F)
	Operating Humidity	20% ~ 90% (Non-condensing)
Mechanical	Dimensions with Stand (WxHxD)	515.0 x 402.0 x 217.0mm (20.28" x 15.83" x 8.54")
	Dimensions without Stand (WxHxD)	515.0 x 331.0 x 69.0mm (20.28" x 13.03" x 2.72")
	Weight	6.85Kg (15.1 lb)
	LCD Protection Glass	Yes
	Cabinet Color	Black
	Rack Mounts	Optional
	VESA Mounts Interface	100 x 100mm

# SMT-1930

18.5" Wide TFT-LCD Monitor

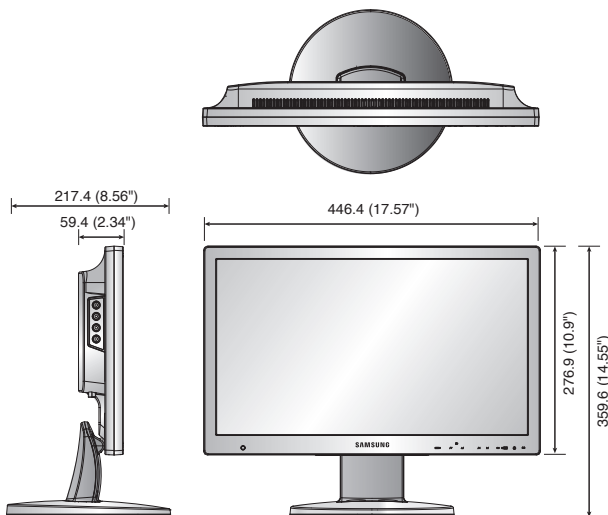


## Key Features

- Support up to 1360 x 768 resolution
- High contrast ratio 1000 : 1
- Fast response time 5ms
- 120Hz motion technology

## Dimensions

Unit : mm (inch)



## Technical Specifications

		SMT-1930
<b>DISPLAY</b>		
Screen Size		18.5"
Max. Resolution		1,360 x 768
Brightness		300cd/m <sup>2</sup>
Contrast Ratio		1,000 : 1
Aspect Ratio		16 : 9
Viewing Angle (H/V)		160° / 160°
Display Color		16.7million
Response Time		5ms
Video System		NTSC / PAL
Panel Life		50,000hours
Filter Type		3D combfilter
<b>INTERFACE</b>		
Video	Connector	BNC types (2 in / 2 out)
	Connector	1 Analogue RGB 15-pin D-sub
	Input Signal	0.7 Vp-p ±5%
RGB / DVI	Available Format	640 x 350@70Hz
		640 x 480@60Hz/67Hz/72Hz/75Hz
		720 x 400@70Hz
		720 x 576@60Hz
		800 x 600@60Hz/72Hz/75Hz
		832 x 624@75Hz
HDMI	Available Format	1,024 x 768@60Hz/70Hz/75Hz
		1,280 x 720@60Hz/70Hz/75Hz
		1,360 x 768@60Hz
		1,280 x 720p@50Hz, 1,280 x 720p@60Hz
		1,360 x 768p@60Hz
Audio	Connector	1 HDMI input (Type A connector)
	Output Signal	640 x 480p@60Hz, 720 x 480i@60Hz 720 x 480p@60Hz, 720 x 576i@50Hz 720 x 576p@50Hz, 1,280 x 720p@50Hz/60Hz
Application Support		2 RCA type (2 Stereo inputs) Speakers : 2 x 1W
<b>ON SCREEN DISPLAY</b>		
Functions		Remote controller
<b>ON SCREEN DISPLAY</b>		
Functions		VESA™ DPM compatible
Language		English, Spanish, French, German, Italian, Portuguese, Russian, Swedish, Turkish, Taiwanese, Chinese, Japanese, Korean
<b>GENERAL</b>		
Electrical	Input Voltage	100 ~ 240VAC (50/60Hz)
	Power Consumption	Type 18W
Environmental	Operating Temperature	0 ~ +40°C (+32°F ~ +104°F)
	Operating Humidity	20% ~ 90% (Non-condensing)
Mechanical	Dimensions with Stand (WxHxD)	446.4 x 359.6 x 217.4mm (17.57" x 14.55" x 8.56")
	Dimensions without Stand (WxHxD)	446.4 x 276.9 x 59.4mm (17.57" x 10.9" x 2.34")
Mechanical	Weight	TBD
	LCD Protection Glass	Yes
	Cabinet Color	Black
	Rack Mounts	Optional
	VESA Mounts Interface	100 x 100mm

# SMT-1923/1922

19" TFT-LCD Monitor

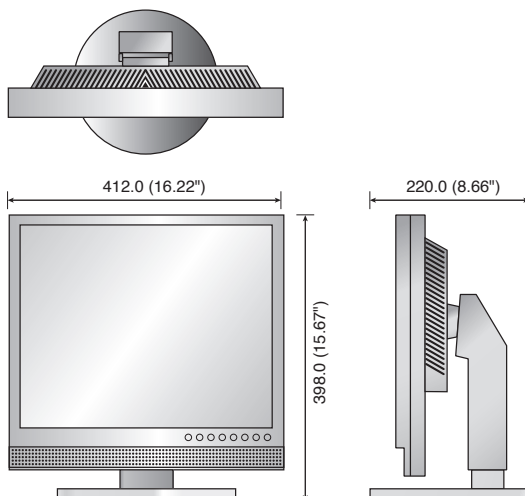


## Key Features

- Support up to 1280 x 1024 resolution
- High contrast ratio 1000 : 1
- Fast response time 5ms
- 120Hz motion technology

## Dimensions

Unit : mm (inch)



## Technical Specifications

		SMT-1923/1922
<b>DISPLAY</b>		
Screen Size		19"
Max. Resolution		1,280 x 1,024
Brightness		250cd/m <sup>2</sup>
Contrast Ratio		1,000 : 1
Aspect Ratio		4 : 3
Viewing Angle (H/V)		170° / 160°
Display Color		16.7million
Response Time		5ms
Video System		NTSC / PAL
Panel Life		40,000hours
Filter Type		3D combfilter
<b>INTERFACE</b>		
Video	Connector	BNC types (2 in / 2 out)
S-Video	Connector	1CH input (Y/C), Loop through out
	Connector	1 Analogue RGB 15-pin D-sub
	Input Signal	0.7 Vp-p ±5%
RGB / DVI	Available Format	720 x 400@70Hz 640 x 480@60Hz/72Hz/75Hz (VGA) 800 x 600@56Hz/60Hz/72Hz/75Hz (SVGA) 1,024 x 768@60Hz/70Hz/75Hz (XGA) 1,152 x 864@75Hz 1,280 x 720@60Hz 1,280 x 960@60Hz 1,280 x 1,024@60Hz/75Hz (SXGA)
Audio	Connector	2 RCA type (2 Stereo inputs)
	Output Signal	Speakers : 2 x 1W
Application Support		Remote controller
<b>ON SCREEN DISPLAY</b>		
Functions		Motion technology (120Hz), VESA™ DPM compatible, PIP/PBP
Language		English, Spanish, French, German, Italian, Portuguese, Dutch, Russian, Swedish, Chinese, Japanese, Korean
<b>GENERAL</b>		
Electrical	Input Voltage	SMT-1923 : 12V DC (External power supply) SMT-1922 : 100 ~ 240V AC (50/60Hz)
	Power Consumption	Type 26W
Environmental	Operating Temperature	0 ~ +40°C (+32°F ~ +104°F)
	Operating Humidity	20% ~ 90% (Non-condensing)
Mechanical	Dimensions with Stand (WxHxD)	412.0 x 398.0 x 220.0mm (16.22" x 15.67" x 8.66")
	Dimensions without Stand (WxHxD)	412.0 x 361.0 x 69.0mm (16.22" x 14.21" x 2.72")
	Weight	6.85Kg (15.1 lb)
	LCD Protection Glass	Yes
	Cabinet Color	Black
	VESA Mounts Interface	100 x 100mm



# SMT-1912/1712

19"/17" TFT-LCD Monitor



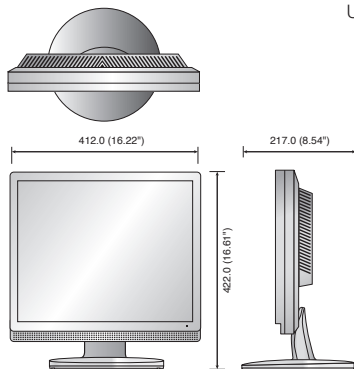
## Key Features

- Support up to 1280 x 1024 resolution
- High contrast ratio 1000 : 1
- Fast response time 5ms

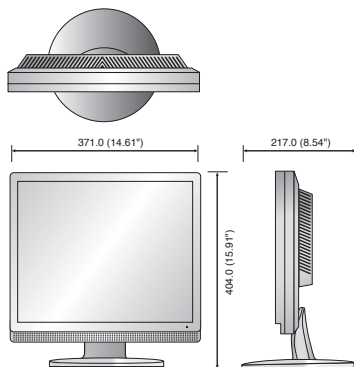
## Dimensions

Unit : mm (inch)

SMT-1912



SMT-1712



## Technical Specifications

		SMT-1912/1712	
<b>DISPLAY</b>			
Screen Size	SMT-1912 : 19", SMT-1712 : 17"		
Max. Resolution	1,280 x 1,024		
Brightness	250cd/m <sup>2</sup>		
Contrast Ratio	1,000 : 1		
Aspect Ratio	4 : 3		
Viewing Angle (H/V)	170° / 160°		
Display Color	16.7million		
Response Time	5ms		
Video System	NTSC / PAL		
Panel Life	SMT-1912 : 40,000hours, SMT-1712 : 50,000hours		
<b>INTERFACE</b>			
RGB / DVI	Connector	1 Analogue RGB 15-pin D-sub	
	Input Signal	0.7 Vp-p (0.5 ~ 1 Vrms)	
	Available Format	640 x 350@70Hz	
		720 x 400@70Hz	
		640 x 480@60Hz/72Hz/75Hz (VGA)	
		800 x 600@56Hz/60Hz/72Hz/75Hz (SVGA)	
		1,024 x 768@60Hz/70Hz/75Hz (XGA)	
		1,152 x 864@75Hz	
		1,152 x 870@75Hz	
		1,280 x 720@60Hz	
1,280 x 960@60Hz			
1,280 x 1,024@60Hz/75Hz (SXGA)			
Application Support	Remote controller		
<b>ON SCREEN DISPLAY</b>			
Functions	VESA™ DPM compatible		
Language	English, Spanish, French, German, Italian, Portuguese, Dutch, Russian, Swedish, Chinese, Japanese, Korean		
<b>GENERAL</b>			
Electrical	Input Voltage	100 ~ 240V AC (50/60Hz)	
	Power Consumption	SMT-1912 : Type 19.5W, SMT-1712 : Type 17.5W	
Environmental	Operating Temperature	0 ~ +40°C (+32°F ~ +104°F)	
	Operating Humidity	10% ~ 80% (Non-condensing)	
Mechanical	Dimensions with Stand (WxHxD)	SMT-1912 : 412.0 x 422.0 x 217.0mm (16.22" x 16.61" x 8.54") SMT-1712 : 371.0 x 404.0 x 217.0mm (14.61" x 15.91" x 8.54")	
	Dimensions without Stand (WxHxD)	SMT-1912 : 412.0 x 361.0 x 70.0mm (16.22" x 14.21" x 2.76") SMT-1712 : 371.0 x 331.0 x 70.0mm (14.61" x 13.03" x 2.76")	
	Weight	SMT-1912 : 5.5Kg (12.13 lb), SMT-1712 : 4.9Kg (10.8 lb)	
	LCD Protection Glass	Yes	
	Cabinet Color	Black	
	VESA Mounts Interface	100 x 100mm	

# SMT-1723/1722

17" TFT-LCD Monitor

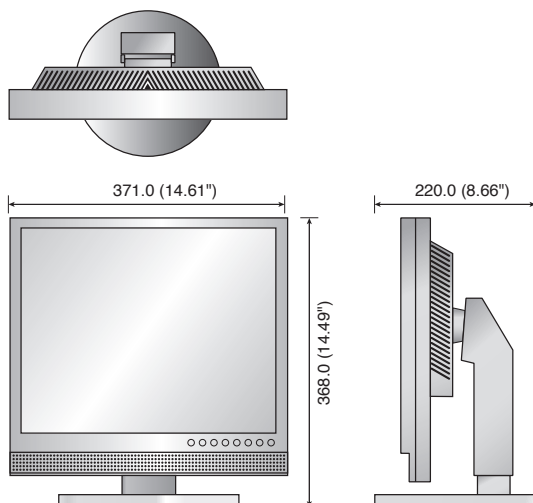


## Key Features

- Support up to 1280 x 1024 resolution
- High contrast ratio 1000 : 1
- Fast response time 5ms
- 120Hz motion technology

## Dimensions

Unit : mm (inch)



## Technical Specifications

		SMT-1723/1722	
<b>DISPLAY</b>			
Screen Size		17"	
Max. Resolution		1,280 x 1,024	
Brightness		250cd/m <sup>2</sup>	
Contrast Ratio		1,000 : 1	
Aspect Ratio		4 : 3	
Viewing Angle (H/V)		170° / 160°	
Display Color		16.7million	
Response Time		5ms	
Video System		NTSC / PAL	
Panel Life		50,000hours	
Filter Type		3D combfilter	
<b>INTERFACE</b>			
Video	Connector	BNC types (2 in / 2 out)	
S-Video	Connector	1CH input (Y/C), Loop through out	
RGB / DVI	Connector	1 Analogue RGB 15-pin D-sub	
	Input Signal	0.7 Vp-p ±5%	
	Available Format		720 x 400@70Hz
			640 x 480@60Hz/72Hz/75Hz (VGA)
			800 x 600@56Hz/60Hz/72Hz/75Hz (SVGA)
			1,024 x 768@60Hz/70Hz/75Hz (XGA)
		1,152 x 864@75Hz	
	1,280 x 720@60Hz		
	1,280 x 960@60Hz		
	1,280 x 1,024@60Hz/75Hz (SXGA)		
Audio	Connector	2 RCA type (2 Stereo inputs)	
	Output Signal	Speakers : 2 x 1W	
Application Support		Remote controller	
<b>ON SCREEN DISPLAY</b>			
Functions		Motion technology (120Hz), VESA™ DPM compatible, PIP/PBP	
Language		English, Spanish, French, German, Italian, Portuguese, Dutch, Russian, Swedish, Chinese, Japanese, Korean	
<b>GENERAL</b>			
Electrical	Input Voltage	SMT-1723 : 12V DC (External power supply) SMT-1722 : 100 ~ 240V AC (50/60Hz)	
	Power Consumption	Type 23W	
Environmental	Operating Temperature	0 ~ +40°C (+32°F ~ +104°F)	
	Operating Humidity	20% ~ 90% (Non-condensing)	
Mechanical	Dimensions with Stand (WxHxD)	371.0 x 368.0 x 220.0mm (14.61" x 14.49" x 8.66")	
	Dimensions without Stand (WxHxD)	371.0 x 331.0 x 67.0mm (14.61" x 13.03" x 2.64")	
	Weight	5.95Kg (13.12 lb)	
	LCD Protection Glass	Yes	
	Cabinet Color	Black	
	VESA Mounts Interface	100 x 100mm	